

## Product Specification

### 25G Ethernet RoHS Compliant Long Wavelength SFP28 Transceiver

#### FTLF1436P3BCL

#### PRODUCT FEATURES

- Up to 25.78 Gb/s bi-directional data links
- Hot-pluggable SFP28 footprint
- Built-in digital diagnostic functions
- 1310nm DFB laser transmitter
- Duplex LC connector
- RoHS compliant
- Up to 10 km on 9/125µm SMF
- Metal enclosure, for lower EMI
- 1.5W maximum power consumption with established link
- Single 3.3V power supply
- Operating temperature range:  
0°C to 70°C



#### APPLICATIONS

- 25GE LR

Finisar's FTLF1436P3BCL SFP28 transceivers are designed for use in Ethernet links up to 25.78 Gb/s data rate and up to 10 km link length. They are compliant SFF-8472 Rev 12.2<sup>b</sup>, and compatible with SFF-8432<sup>a</sup> and applicable portions of SFF-8431 Rev. 3.0<sup>c</sup>. The product is RoHS compliant and lead-free per Directive 2011/96/EU<sup>d</sup> and Finisar Application Note AN-2038.

#### PRODUCT SELECTION

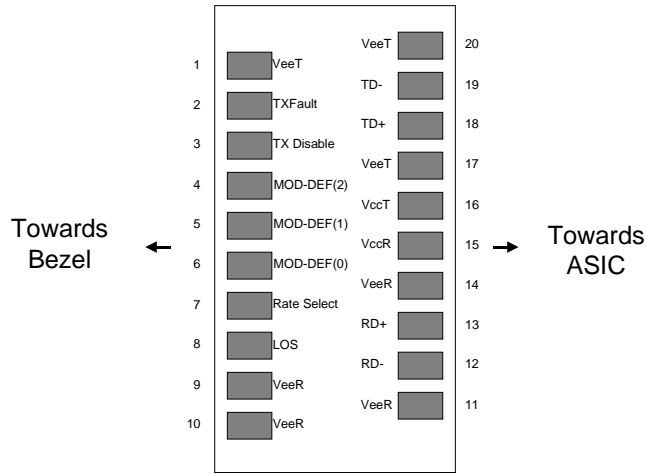
**FTLF1436P3BCL**

## I. Pin Descriptions

| Pin | Symbol             | Name/Description   | Ref. |
|-----|--------------------|--|------|
| 1   | V <sub>EET</sub>   | Transmitter Ground (Common with Receiver Ground)                 | 1    |
| 2   | T <sub>FAULT</sub> | Transmitter Fault.   | 2    |
| 3   | T <sub>DIS</sub>   | Transmitter Disable. Laser output disabled on high or open.      | 3    |
| 4   | SDA                | 2-wire Serial Interface Data Line (MOD-DEF2)                     | 4    |
| 5   | SCA                | 2-wire Serial Interface Clock (MOD-DEF1)                         | 4    |
| 6   | MOD_ABS            | Module Absent, connected to V <sub>EET</sub> or V <sub>EER</sub> | 4    |
| 7   | RS0                | Rx Rate Select: <b>No Connect</b>                                | 5    |
| 8   | LOS                | Loss of Signal indication. Logic 0 indicates normal operation.   | 6    |
| 9   | RS1                | Tx Rate Select: <b>No Connect</b>                                | 5    |
| 10  | V <sub>EER</sub>   | Receiver Ground (Common with Transmitter Ground)                 | 1    |
| 11  | V <sub>EER</sub>   | Receiver Ground (Common with Transmitter Ground)                 | 1    |
| 12  | RD-                | Receiver Inverted DATA out. AC Coupled                           |      |
| 13  | RD+                | Receiver Non-inverted DATA out. AC Coupled                       |      |
| 14  | V <sub>EER</sub>   | Receiver Ground (Common with Transmitter Ground)                 | 1    |
| 15  | V <sub>CCR</sub>   | Receiver Power Supply  |      |
| 16  | V <sub>CCT</sub>   | Transmitter Power Supply   |      |
| 17  | V <sub>EET</sub>   | Transmitter Ground (Common with Receiver Ground)                 | 1    |
| 18  | TD+                | Transmitter Non-Inverted DATA in. AC Coupled.                    |      |
| 19  | TD-                | Transmitter Inverted DATA in. AC Coupled.                        |      |
| 20  | V <sub>EET</sub>   | Transmitter Ground (Common with Receiver Ground)                 | 1    |

### Notes:

- Circuit ground is internally isolated from chassis ground.
- T<sub>FAULT</sub> is an open collector/drain output, which should be pulled up with a 4.7k – 10k Ohms resistor on the host board if intended for use. Pull up voltage should be between 2.0V to V<sub>cc</sub> + 0.3V. A high output indicates a transmitter fault caused by either the TX bias current or the TX output power exceeding the preset alarm thresholds. A low output indicates normal operation. In the low state, the output is pulled to <0.8V.
- Laser output disabled on T<sub>DIS</sub> >2.0V or open, enabled on T<sub>DIS</sub> <0.8V.
- Should be pulled up with 4.7k – 10kohms on host board to a voltage between 2.0V and 3.6V. MOD\_ABS pulls line low to indicate module is plugged in.
- Rate select can also be set through the 2-wire bus in accordance with SFF-8472 v. 12.1°. Rx Rate Select is set at Bit 3, Byte 110, Address A2h. Tx Rate Select is set at Bit 3, Byte 118, Address A2h. Note: writing a “1” selects maximum bandwidth operation. Rate select is the logic OR of the input state of Rate Select Pin and 2-wire bus.
- LOS is open collector output. Should be pulled up with 4.7k – 10kohms on host board to a voltage between 2.0V and 3.6V. Logic 0 indicates normal operation; logic 1 indicates loss of signal.



**Diagram of Host Board Connector Block Pin Numbers and Names**

## II. Absolute Maximum Ratings

| Parameter                          | Symbol          | Min  | Typ | Max | Unit | Ref. |
|------------------------------------|-----------------|------|-----|-----|------|------|
| Maximum Supply Voltage             | V <sub>CC</sub> | -0.5 |     | 4.0 | V    |      |
| Storage Temperature                | T <sub>S</sub>  | -40  |     | 85  | °C   |      |
| Case Operating Temperature         | T <sub>C</sub>  | 0    |     | 70  | °C   |      |
| Relative Humidity (Non-condensing) | RH              | 0    |     | 85  | %    | 1    |

### Notes:

1. Non Condensing

## III. Electrical Characteristics (T<sub>A</sub>, V<sub>CC</sub> = 3.15 to 3.46 Volts)

| Parameter                      | Symbol                 | Min             | Typ | Max                  | Unit | Ref. |
|--------------------------------|------------------------|-----------------|-----|----------------------|------|------|
| Supply Voltage                 | V <sub>CC</sub>        | 3.15            |     | 3.46                 | V    |      |
| Supply Current                 | I <sub>CC</sub>        |                 |     | 400                  | mA   | 1    |
| <b>Transmitter</b>             |                        |                 |     |                      |      |      |
| Input differential impedance   | R <sub>in</sub>        |                 | 100 |                      | Ω    | 2    |
| Single-ended data input swing  | V <sub>in,pp</sub>     | 125             |     | 450                  | mV   | 3    |
| Inner Eye Height               | EH <sub>6</sub>        | 95              |     |                      | mV   | 3    |
| Transmit Disable Voltage       | V <sub>D</sub>         | 2               |     | V <sub>CC</sub>      | V    | 4    |
| Transmit Enable Voltage        | V <sub>EN</sub>        | V <sub>EE</sub> |     | V <sub>EE</sub> +0.8 | V    |      |
| <b>Receiver</b>                |                        |                 |     |                      |      |      |
| Single ended data output swing | V <sub>out,pp</sub>    | 185             |     | 425                  | mV   | 5    |
| LOS Fault                      | V <sub>LOS fault</sub> | 2               |     | V <sub>CCHOST</sub>  | V    | 6    |
| LOS Normal                     | V <sub>LOS norm</sub>  | V <sub>EE</sub> |     | V <sub>EE</sub> +0.8 | V    | 6    |
| Power Supply Rejection         | PSR                    | 100             |     |                      | mVpp | 7    |

### Notes:

1. With established link, the total power dissipation shall not exceed 1.3W.
2. Connected directly to TX data input pins. AC coupling from pins into laser driver IC.
3. The minimum value represents the minimum outer eye amplitude. Inner Eye Height represent the high loss case.
4. Or open circuit.
5. Into 100 ohms differential termination.
6. LOS is an open collector output. Should be pulled up with 4.7k – 10kohms on the host board. Normal operation is logic 0; loss of signal is logic 1. Maximum pull-up voltage is 5.5V.
7. Receiver sensitivity is compliant with power supply sinusoidal modulation of 20 Hz to 1.5 MHz up to specified value applied through the recommended power supply filtering network.

**IV. Optical Characteristics (T<sub>A</sub>, V<sub>CC</sub> = 3.15 to 3.46 Volts)**

| Parameter                                       | Symbol                | Min   | Typ | Max   | Unit  | Ref. |
|---|-----------------------|-------|-----|-------|-------|------|
| <b>Transmitter</b>                              |                       |       |     |       |       |      |
| Average Output Power, 25.78Gb/s                 | P <sub>OUT</sub>      | -7.0  |     | +2.0  | dBm   | 1,2  |
| Optical Wavelength                              | λ                     | 1295  |     | 1325  | nm    |      |
| Spectral Width (-20dB)                          | σ                     |       |     | 1     | nm    | 3    |
| Side Mode Suppression Ratio                     |                       | 30    |     |       | dB    |      |
| Optical Modulation Amplitude, 25.78Gb/s         | OMA                   | -4    |     | 2.2   | dBm   | 4    |
| Launch power in OMA-TDP (min)                   |                       | -5    |     |       | dB    |      |
| Transmitter Dispersion Penalty, 25.78Gb/s       | TDP                   |       |     | 2.7   | dB    |      |
| Extinction Ratio                                | ER                    | 3.5   |     |       | dB    |      |
| Relative Intensity Noise                        | RIN <sub>20</sub> OMA |       |     | -130  | dB/Hz |      |
| Average Launch Power of OFF Transmitter         |                       |       |     | -20   | dBm   |      |
| Optical Return Loss                             |                       |       |     | 20    | dB    |      |
| Transmitter Reflectance                         |                       |       |     | -12   | dB    |      |
| <b>Receiver</b>                                 |                       |       |     |       |       |      |
| Unstressed Receiver OMA Sensitivity , 25.78Gb/s | RxSENS                |       |     | -11.3 | dBm   | 5    |
| Maximum Receiver Power OMA                      |                       |       |     | 2.2   |       |      |
| Stress sensitivity (OMA)                        |                       |       |     | -8.8  |       | 6    |
| Damage threshold                                |                       | 3     |     |       | dBm   |      |
| Average Receiver Power                          | R <sub>XMAX</sub>     | -13.3 |     | 2.0   | dBm   |      |
| Optical Center Wavelength                       | λ <sub>c</sub>        | 1260  |     | 1370  | nm    |      |
| LOS De-Assert                                   | LOS <sub>D</sub>      |       |     | -17   | dBm   |      |
| LOS Assert                                      | LOS <sub>A</sub>      | -30   |     |       | dBm   |      |
| LOS Hysteresis                                  |                       | 0.5   |     |       | dB    |      |
| Receiver Reflectance                            |                       |       |     | -12   | dB    |      |

**Notes:**

1. Class 1 Laser Safety per FDA/CDRH and EN (IEC) 60825 regulations.
2. High Bandwidth Mode. Class 1 Laser Safety per FDA/CDRH and EN (IEC) 60825 regulations.
3. 20dB spectral width.
4. Equivalent extinction ratio specification for Fibre Channel. Allows smaller ER at higher average power.
5. At 5E<sup>-5</sup> BER, KR4 FEC
6. Per IEEE802.3cc

#### IV. General Specifications

| Parameter      | Symbol | Min | Typ   | Max    | Units  | Ref. |
|----------------|--------|-----|-------|--------|--------|------|
| Data Rate      | BR     |     | 25.78 |        | Gb/sec |      |
| Bit Error Rate | BER    |     |       | 5E(-5) |        | 1    |
| Fiber Length   | L      |     |       | 10     | km     | 2    |

##### Notes:

1. Tested with a PRBS  $2^{31}-1$  test pattern.
2. Distances are based on. IEEE 802.3 standards.

#### VI. Environmental Specifications

| Parameter                  | Symbol           | Min | Typ | Max | Units | Ref. |
|----------------------------|------------------|-----|-----|-----|-------|------|
| Case Operating Temperature | T <sub>op</sub>  | 0   |     | 70  | °C    |      |
| Storage Temperature        | T <sub>sto</sub> | -40 |     | 85  | °C    |      |

#### VII. Regulatory Compliance

Finisar transceivers are Class 1 Laser Products and comply with US FDA regulations. These products are certified by TÜV and CSA to meet the Class 1 eye safety requirements of EN (IEC) 60825 and the electrical safety requirements of EN (IEC) 60950. Copies of certificates are available at Finisar Corporation upon request.

## VIII. Digital Diagnostic Functions

Finisar FTLF1436P3BCL SFP28 transceivers support the 2-wire serial communication protocol as defined in the SFP MSA<sup>e</sup>. It is very closely related to the E<sup>2</sup>PROM defined in the GBIC standard, with the same electrical specifications.

The standard SFP serial ID provides access to identification information that describes the transceiver's capabilities, standard interfaces, manufacturer, and other information.

Additionally, Finisar SFP transceivers provide an enhanced digital diagnostic monitoring interface, which allows real-time access to device operating parameters such as transceiver temperature, laser bias current, transmitted optical power, received optical power and transceiver supply voltage. It also defines a sophisticated system of alarm and warning flags, which alerts end-users when particular operating parameters are outside of a factory set normal range.

The SFP MSA defines a 256-byte memory map in E<sup>2</sup>PROM that is accessible over a 2-wire serial interface at the 8 bit address 1010000X (A0h). The digital diagnostic monitoring interface makes use of the 8 bit address 1010001X (A2h), so the originally defined serial ID memory map remains unchanged. The interface is identical to, and is thus fully backward compatible with both the GBIC Specification and the SFP Multi Source Agreement. The complete interface is described in Finisar Application Note AN-2030: "Digital Diagnostics Monitoring Interface for SFP Optical Transceivers".

The operating and diagnostics information is monitored and reported by a Digital Diagnostics Transceiver Controller (DDTC) inside the transceiver, which is accessed through a 2-wire serial interface. When the serial protocol is activated, the serial clock signal (SCL, Mod Def 1) is generated by the host. The positive edge clocks data into the SFP transceiver into those segments of the E<sup>2</sup>PROM that are not write-protected. The negative edge clocks data from the SFP transceiver. The serial data signal (SDA, Mod Def 2) is bi-directional for serial data transfer. The host uses SDA in conjunction with SCL to mark the start and end of serial protocol activation. The memories are organized as a series of 8-bit data words that can be addressed individually or sequentially.

For more information, please see the SFP MSA documentation<sup>e</sup> and Finisar Application Note AN-2030.

### **TX Equalization Control**

Tx input equalization control can be accessed through 2-wire serial interface at byte address 114 (A2h). Tx input equalization control for 25GE is located at the upper 4 bits of byte 114 (A2h) while the lower 4 bits are reserved for rate low in the case of dual rate application.

### **RX Emphasis Control**

Rx output emphasis control can be accessed through 2-wire serial interface at byte address 115 (A2h). Rx output emphasis control for 25GE is located at the upper 4 bits of byte 115 (A2h) while the lower 4 bits are reserved for rate low in the case of dual rate application.

## IX. Digital Diagnostic Specifications

FTLF1436P3BCL transceivers can be used in host systems that require either internally or externally calibrated digital diagnostics.

| Parameter                            | Symbol      | Units | Min  | Max  | Accuracy | Ref. |
|--------------------------------------|-------------|-------|------|------|----------|------|
| Transceiver Temperature              | DDDTemp     | °C    | 0    | +70  | ±5°C     |      |
| Transceiver Supply Voltage           | DDDVoltage  | V     | 3.15 | 3.45 | ±3%      |      |
| Transmitter Bias Current             | DDDBias     | mA    | 0    | 35   | ±10%     | 1    |
| Transmitter Output Power             | DDDTx-Power | dBm   | -5   | +3   | ±3dB     |      |
| Receiver Average Optical Input Power | DDDRx-Power | dBm   | -12  | +3   | ±3dB     |      |

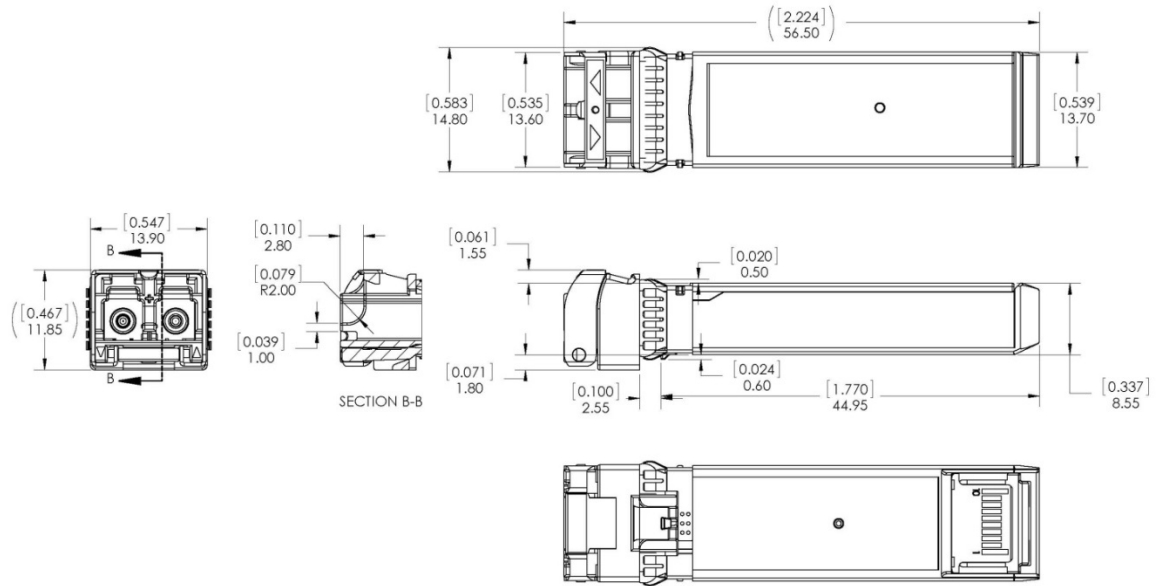
### Notes:

1. Accuracy of Measured Tx Bias Current is 10% of the actual Bias Current from the laser driver to the laser.



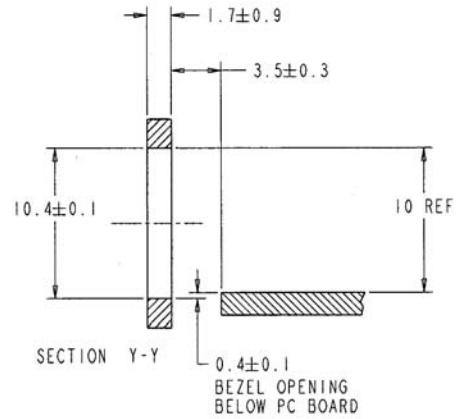
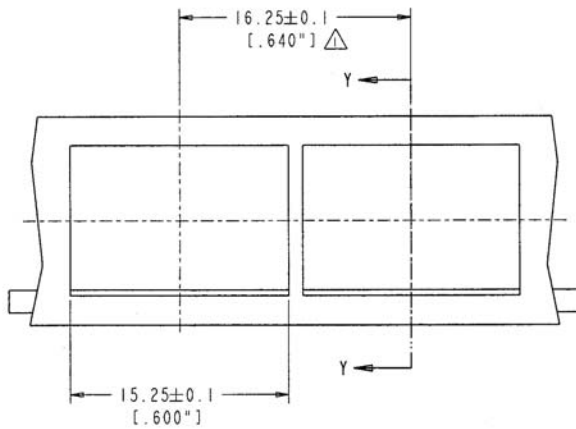
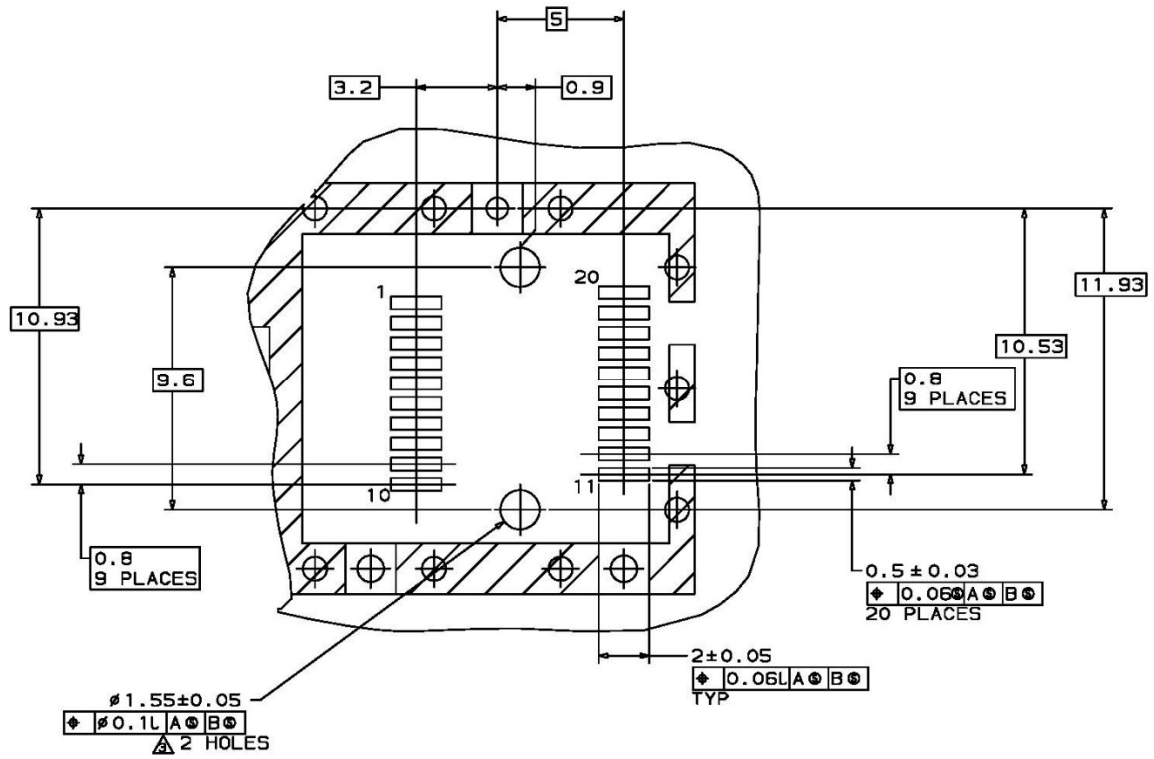
**X. Mechanical Specifications**

Finisar’s FTLF1436P3BCL SFP28 transceivers are compatible with the SFF-8432<sup>b</sup> specification for improved pluggable form factor.



**FTLF1436P3BCL**





NOTES:

△ MINIMUM PITCH ILLUSTRATED, ENGLISH DIMENSIONS ARE FOR REFERENCE ONLY

2. NOT RECOMMENDED FOR PCI EXPANSION CARD APPLICATIONS

**XII. References**

- a. “Improved Pluggable Form Factor”, SFF Document Number SFF-8432, Revision 5.0, July 16, 2007.
- b. “Digital Monitoring Interface for Optical Transceivers”, SFF Document Number SFF-8472, Revision 12.2, 2014.
- c. “Enhanced Small Form Factor Pluggable Module ‘SFP+ ‘”, SFF Document Number SFF-8431, Revision 4.1, July 6, 2009; Addendum Jun 21, 2013.
- d. Directive 2011/65/EU of the European Council Parliament and of the Council, “on the restriction of the use of certain hazardous substances in electrical and electronic equipment”. 08-June 2011, which supercedes the previous ROHS Directive 2002/95/EC.
- e. Small Form Factor Pluggable (SFP) Transceiver Multi-source Agreement (MSA), September 14, 2000 which is available as SFF Document Number INF-8074, Revision 1.0 May 12, 2001
- f. “0.8mm Card Edge Connector for 16Gb/s Applications”, SFF Document Number SFF-8081, Revision 0.2, December 21, 2009.
- g. SFF-8402, Revision 0.2

**XIII. For More Information**

Finisar Corporation  
1308 Moffett Park Drive  
Sunnyvale, CA 94089-1133  
Tel. 1-408-548-1000  
Fax 1-408-541-6138  
[sales@finisar.com](mailto:sales@finisar.com)  
[www.finisar.com](http://www.finisar.com)